

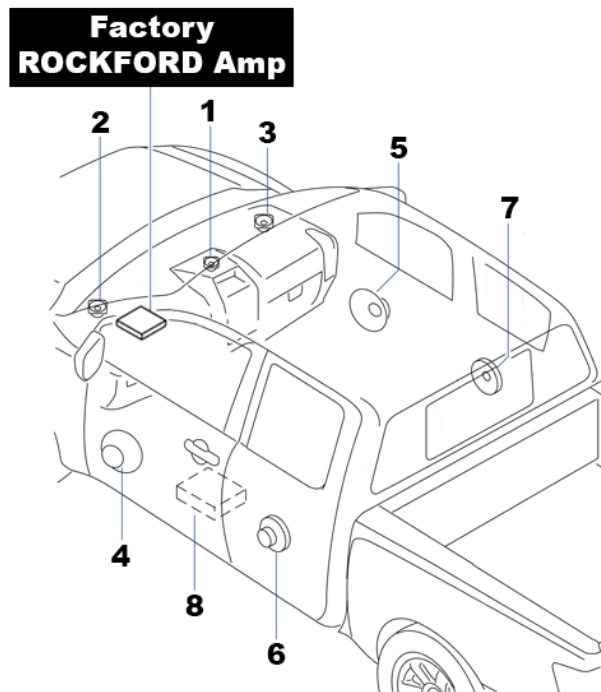
# Audio Interface Harness Adapter

## Installation Guide (for ROCKFORD Equipped 2004-15 TITAN)

1. Ensure the car is OFF and locate the ROCKFORD Amp above the gas pedal if you purchased a harness adapter that plugs into the Rockford Amp Harness. If you purchased an adapter that plugs into the factory subwoofer harness, locate the connectors at the subwoofer housing under the driver's seat.
  2. Use a medium sized flathead screwdriver to press in the latching clip & **carefully disconnect** the connectors from the Rockford Amp or Rockford Subwoofer that will attach to the harness adapter.
  3. Plug the adapter into the corresponding connectors as appropriate. Also make any connections between the adapter itself, if applicable.
  4. Refer to the labeling on the harness adapter to connect your audio equipment.
    - Speaker Wiring (if your adapter has it) is labeled with a speaker number, in reference to the diagram below. Speaker wiring goes to the Output of your amplifier(s).
- Note: Gray or Red wire connections are + (Positive). Black wire connections are - (Negative).

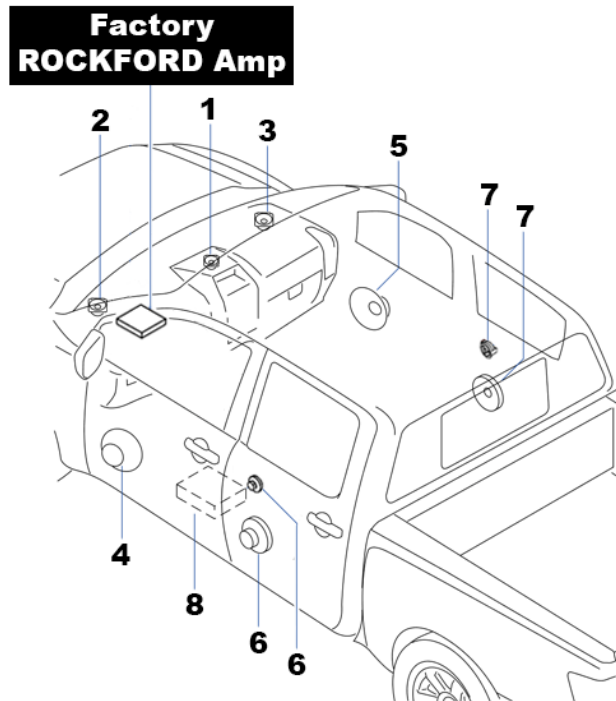
### KING CAB, SPEAKER WIRING DIAGRAM

- 1 - Center Speaker**
- 2 - Front Left Dashboard Tweeter**
- 3 - Front Right Dashboard Tweeter**
- 4 - Front Left Speaker**
- 5 - Front Right Speaker**
- 6 - Rear Left Speaker**
- 7 - Rear Right Speaker**
- 8 - Subwoofer**



## CREW CAB, SPEAKER WIRING DIAGRAM

- 1 - Center Speaker
- 2 - Front Left Dashboard Tweeter
- 3 - Front Right Dashboard Tweeter
- 4 - Front Left Speaker
- 5 - Front Right Speaker
- 6 - Rear Left Tweeter & Speaker
- 7 - Rear Right Tweeter & Speaker
- 8 - Subwoofer



5. After making the connections you want to your audio equipment, be sure to **properly secure** any remaining/unused connections of the adapter to avoid any shorts or damage.
6. Once all your connections have been made and everything is secure, you can turn the car on to test everything out. Ensure everything looks and sounds ok.
7. Adjust your equipment settings as necessary, and that's all there is to it!