

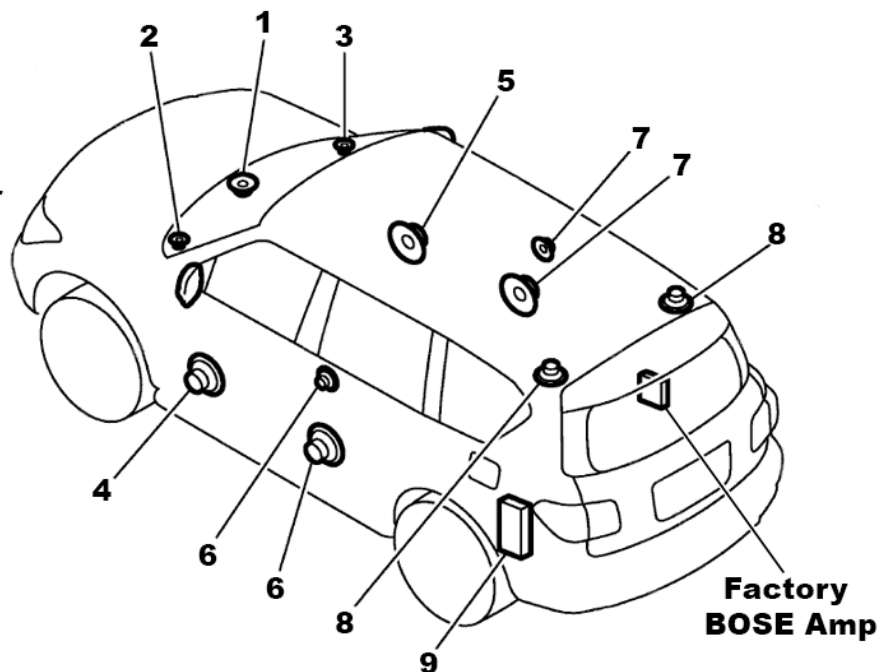
# Audio Interface Harness Adapter

## Installation Guide (for 13-Speaker BOSE Equipped 2011-23 QX56 and QX80)

1. Ensure the car is OFF and locate the BOSE Amp or factory subwoofer in the trunk (see diagram below), depending on the type of kit you ordered.
  2. Use a medium sized flathead screwdriver to press in the latching clip & **carefully disconnect** the connectors from the Bose Amp and/or Bose Subwoofer that will attach to the harness adapter.
  3. Plug the adapter into the corresponding connectors as appropriate. Also make any connections between the adapter itself, if applicable.
  4. Refer to the labeling on the harness adapter to connect your audio equipment.  
*The Bose radio outputs low-level differential balanced signals (that go through the specifically designed RCA connections of the harness adapter). Therefore, we recommend audio equipment that has differential inputs, or RCA inputs capable of accepting preamp and speaker-level signals. Otherwise, you may need to use an appropriate Line Output Converter to avoid sound quality issues.*
  5. Speaker Wiring (if your adapter has it) is labeled with a speaker number, in reference to the diagrams below. Speaker wiring goes to the Output of your amplifier(s).
- Note: Gray or Red wire connections are + (Positive). Black wire connections are - (Negative).

### SPEAKER WIRING DIAGRAM

- 1 - Center Speaker
- 2 - Front Left Dashboard Mid
- 3 - Front Right Dashboard Mid
- 4 - Front Left Speaker
- 5 - Front Right Speaker
- 6 - Rear Left Tweeter & Speaker
- 7 - Rear Right Tweeter & Speaker
- 8 - Roof Speakers
- 9 - Subwoofer





6. After making the connections you want to your audio equipment, be sure to **properly secure** any remaining/unused connections of the adapter to avoid any shorts or damage.
7. Once all your connections have been made and everything is secure, you can turn the car on to test everything out. Ensure everything looks and sounds ok.
8. Adjust your equipment settings as necessary, and that's all there is to it!

**Enjoy Your New Upgrade!**