

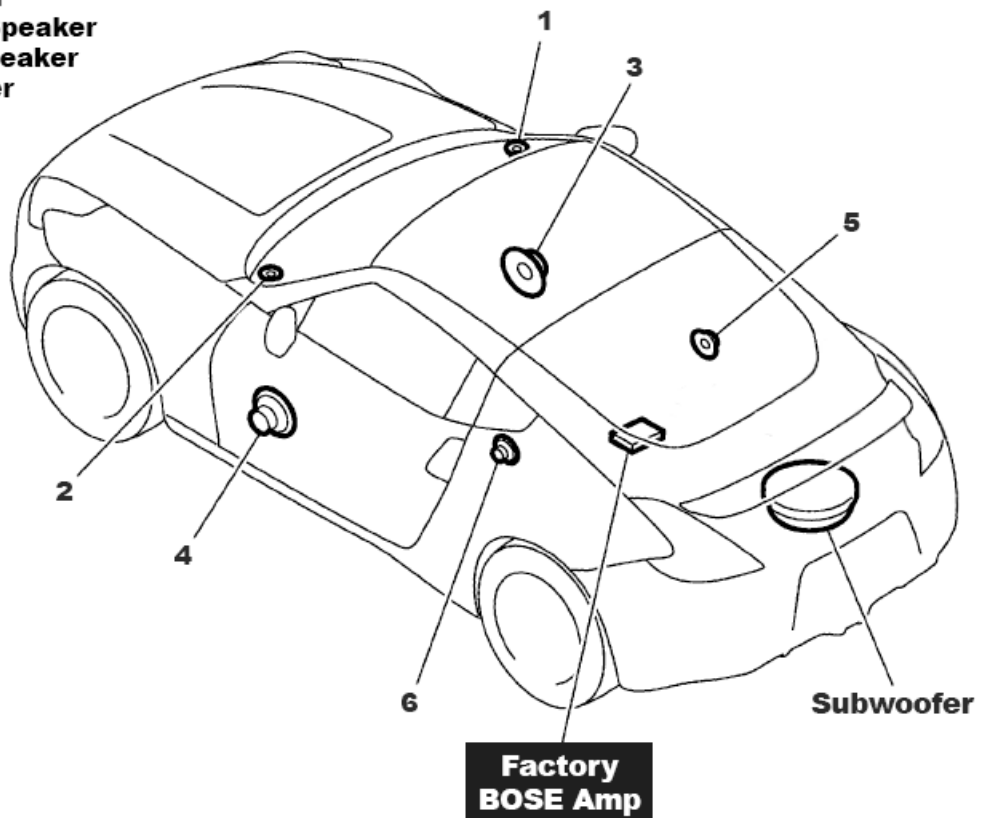
# Audio Interface Harness Adapter

## Installation Guide (for BOSE equipped 2009-15 370z)

1. Ensure the car is OFF and locate the BOSE Amp or factory subwoofer in the trunk (see diagrams below), depending on the type of kit you ordered.
  2. Use a medium sized flathead screwdriver to press in the latching clip & **carefully disconnect** the connectors from the Bose Amp and/or Subwoofer that will attach to the harness adapter.
  3. Plug the adapter into the corresponding connectors as appropriate. Also make any connections between the adapter itself, if applicable.
  4. Refer to the harness adapter's labeling and the diagrams below to connect your audio equipment.  
*The Bose radio outputs low-level differential balanced signals (that go through the specifically designed RCA connections of the harness adapter). Therefore, we recommend audio equipment that has differential inputs, or RCA inputs capable of accepting preamp and speaker-level signals. Otherwise, you may need to use an appropriate Line Output Converter to avoid sound quality issues.*
    - Speaker Wiring (if your adapter has it) is labeled with a speaker number, in reference to the diagrams below. Speaker wiring goes to the Output of your amplifier(s).
- Note: Gray or Red wire connections are + (Positive). Black wire connections are - (Negative).

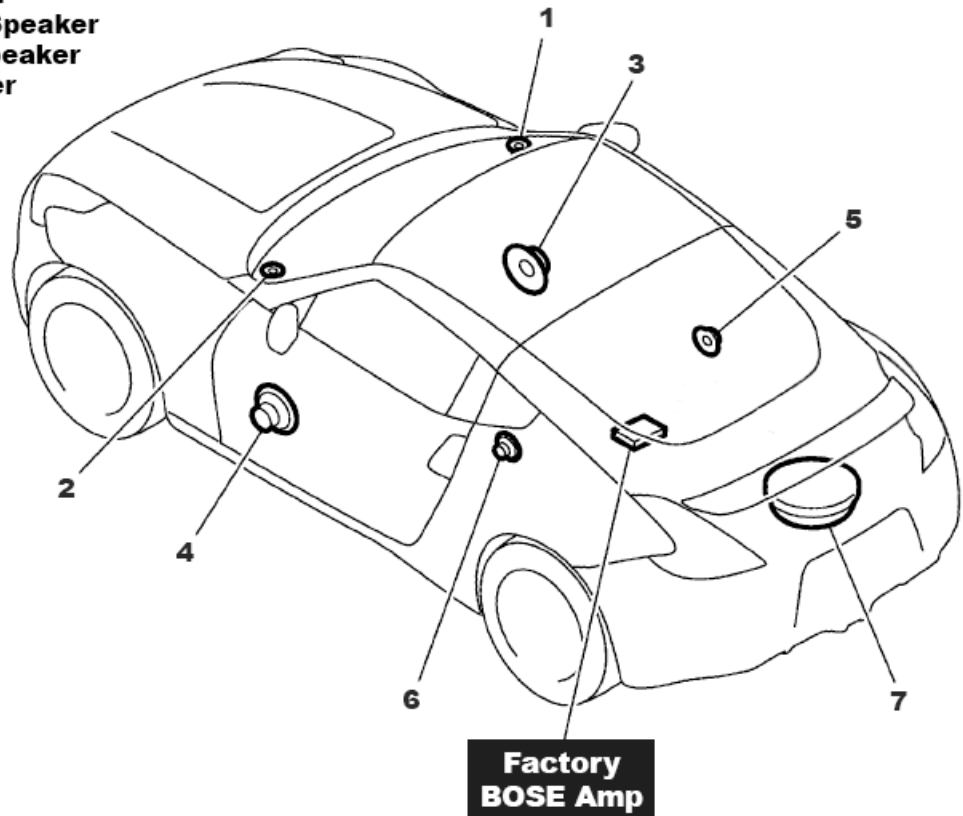
### 2009-10 370z SPEAKER WIRING DIAGRAM

- 1 - Front Right Tweeter**
- 2 - Front Left Tweeter**
- 3 - Front Right Door Speaker**
- 4 - Front Left Door Speaker**
- 5 - Rear Right Speaker**
- 6 - Rear Left Speaker**



## 2011-15 370z SPEAKER WIRING DIAGRAM

- 1 - Front Right Tweeter**
- 2 - Front Left Tweeter**
- 3 - Front Right Door Speaker**
- 4 - Front Left Door Speaker**
- 5 - Rear Right Speaker**
- 6 - Rear Left Speaker**
- 7 - Subwoofer**



5. After making the connections you want to your audio equipment, be sure to **properly secure** any remaining/unused connections of the adapter to avoid any shorts or damage.
6. Once all your connections have been made and everything is secure, you can turn the car on to test everything out. Ensure everything looks and sounds ok.
7. Adjust your equipment settings as necessary, and that's all there is to it!

**Enjoy Your New Upgrade!**